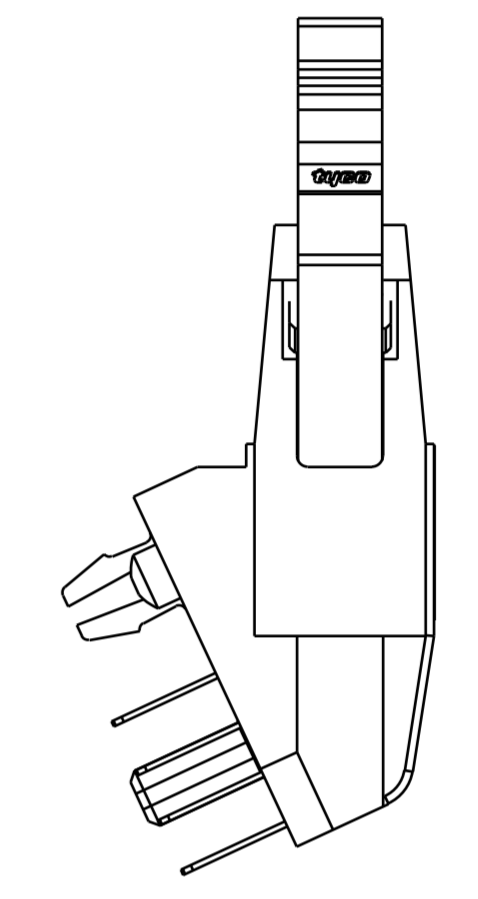
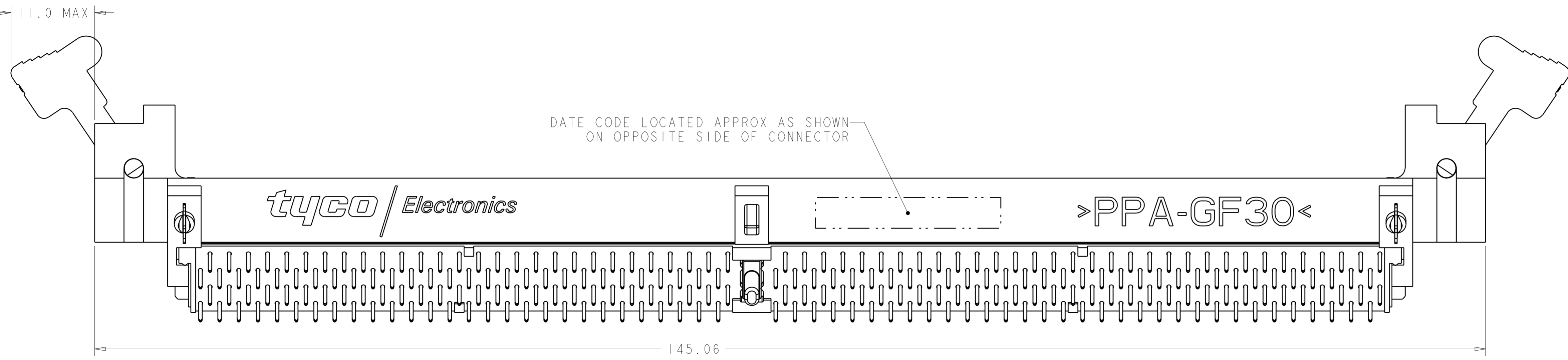
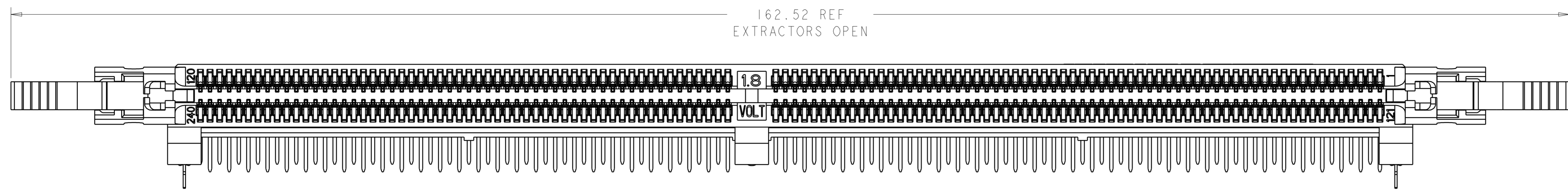
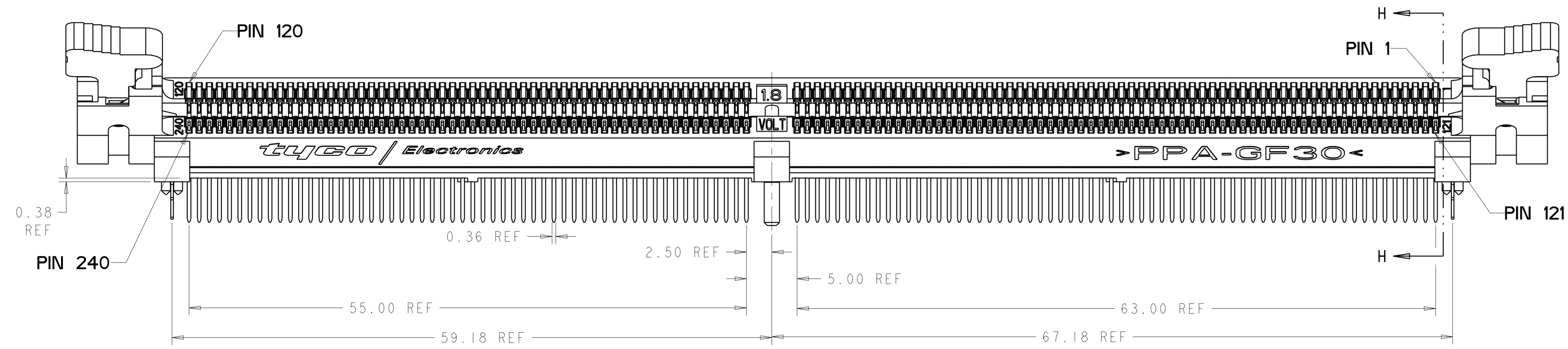


REV	DATE	DESCRIPTION	DATE	DWN	APPV
A	21SEP2007	REVISED PER ECR-07-022433		K. C.	S. Y.
B	08AUG2008	REVISED PER ECR-08-018608		S. L.	S. Y.



TAIL LENGTHS

- 2.67±0.25 FOR 1.60 (.063") THK PCB
- 3.18±0.25 FOR 2.36 (.093") THK PCB
- 4.00±0.25 FOR 3.18 (.125") THK PCB

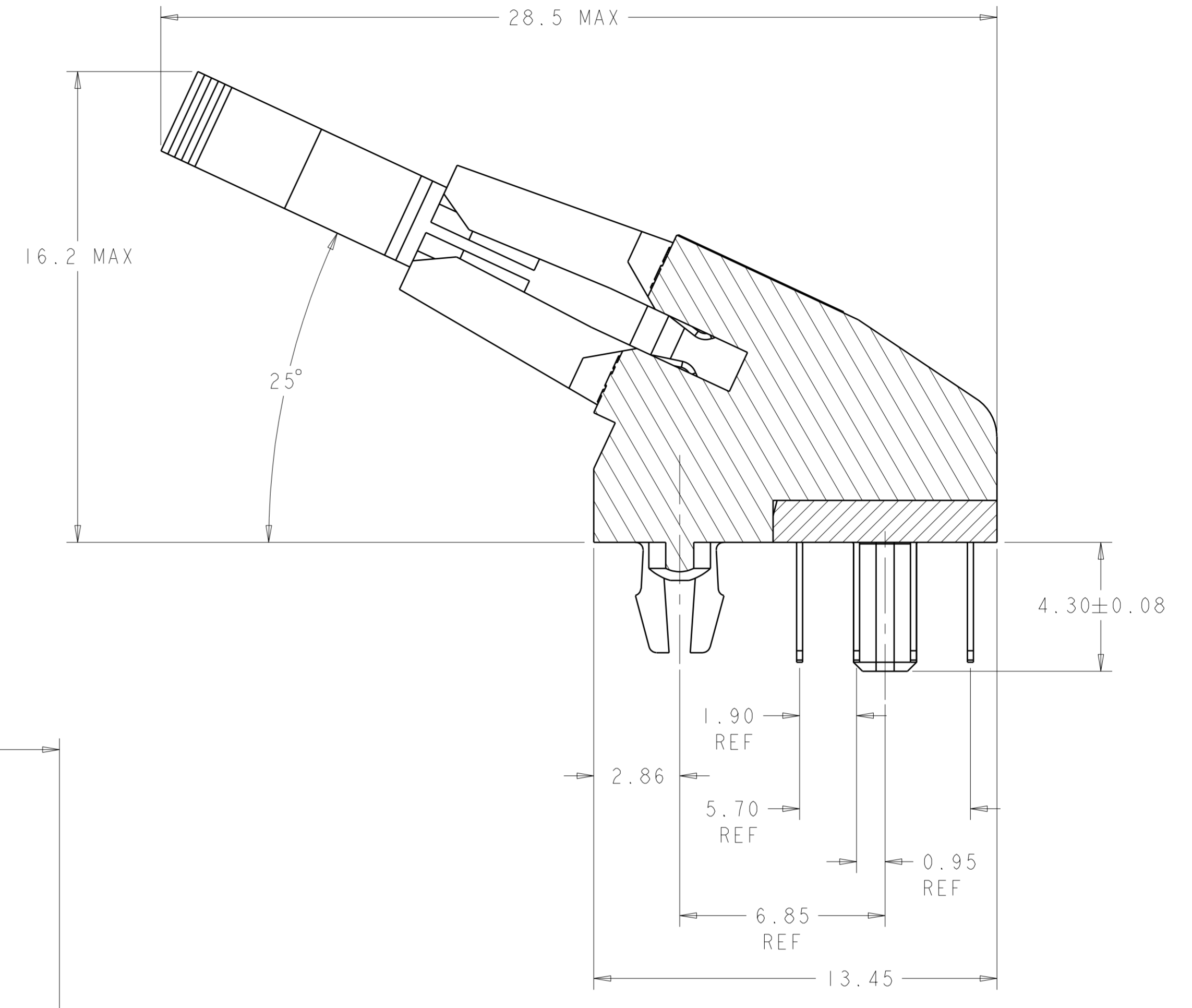


- 1 MATERIALS:
 HOUSING: HIGH TEMPERATURE THERMOPLASTIC, UL94 V-0
 EXTRACTOR: HIGH TEMPERATURE THERMOPLASTIC
 CONTACTS: COPPER ALLOY
 RETENTION BARB: COPPER ALLOY
- 2 INTERFACE FINISH:
 0.00076 MIN THK GOLD OVER 0.00127 MIN THK NICKEL.
 0.00038 MIN THK GOLD OVER 0.00127 MIN THK NICKEL.
- 3 SOLDER TAIL FINISH:
 0.00300 MIN THK MATTE LEAD FREE PLATING OVER 0.00127 MIN THK NICKEL.
- 4 RIGHT HOLE IS GLOBAL D-E ORIGIN FOR ALL POSITIONAL TOLERANCES.
 LEFT AND RIGHT NON-PLATED THRU HOLES ESTABLISH [-E-].
- 5 FINISHED HOLE SIZE. Ø0.15 MAXIMUM ANNULAR RING.

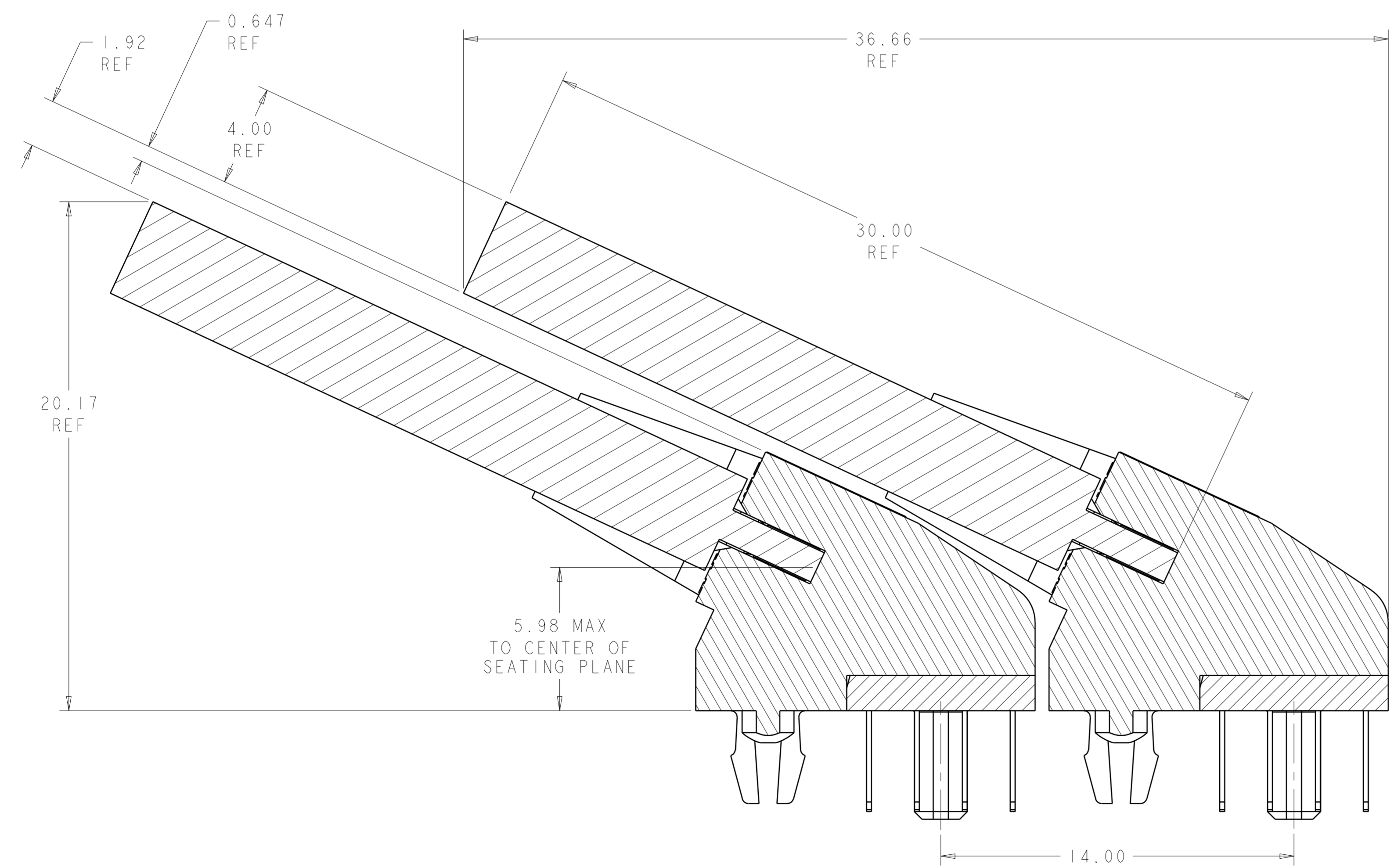
- 6 DATUM [-F-] IS CONNECTOR SIDE SURFACE OF PCB.
- 7 PORE BLOCKER APPLIED TO CONTACT INTERFACE.

DIMENSIONS: mm		TOLERANCES UNLESS OTHERWISE SPECIFIED: 0 PLC ±.25 1 PLC ±0.15 2 PLC ±0.15 3 PLC ±0.013 4 PLC ±.1 ANGLES ° ±1		DWN: D. RINGLER 18 JUL 2003 CHK: J. McCLELLAN 21 AUG 2003 APV: J. McCLELLAN		Tyco Electronics Tyco Electronics Corporation SH/CN Gasping RD 668#	
MATERIAL:		FINISH:		PRODUCT SPEC: 108-2168 APPLICATION SPEC: 114-13130		SOCKET ASSEMBLY 25 DEGREE DDR II DIMM 240 POSITION	
CUSTOMER DRAWING		SCALE: 1:1		SHEET 1 OF 3		REV B	

LOC	DIST	REV	DATE	BY	CHK	DESCRIPTION
ES	00					SEE SHEET 1



SECTION H-H
SCALE 8:1



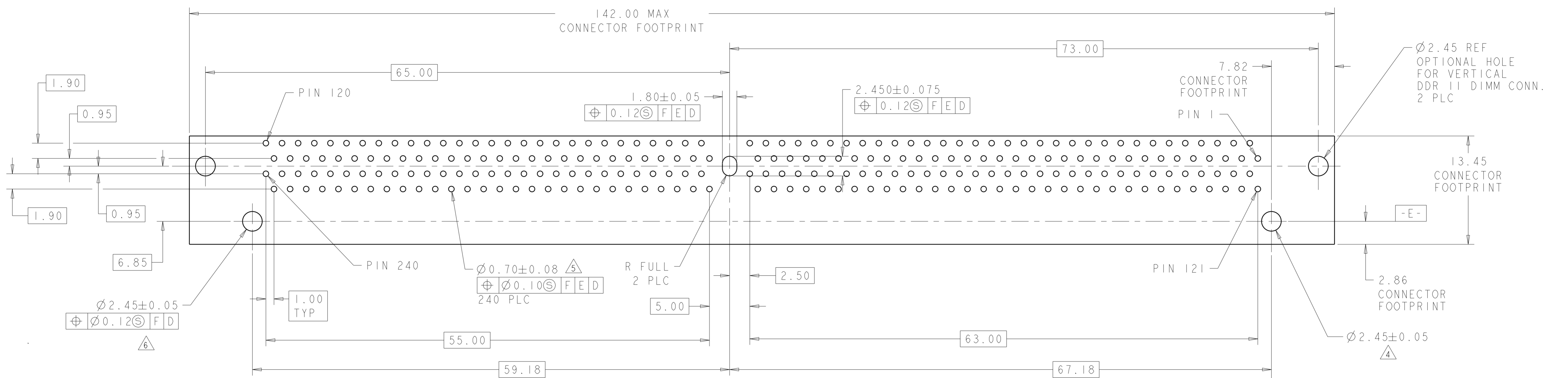
MINIMUM RECOMMENDED ROW TO ROW SPACING
FOR 4mm THICK MODULE

SCALE 8:1

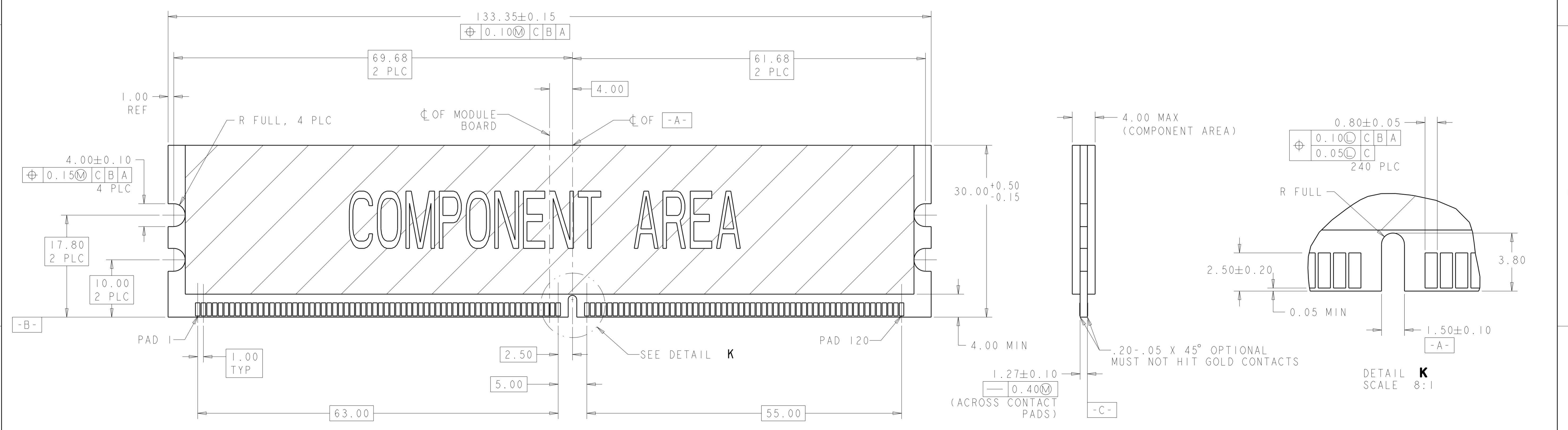
	EXTRATOR COLOR	HOUSING COLOR	CONTACT GOLD INTERFACE	TAIL LENGTH	PART NUMBER
	BLACK	BLACK	0.00038 MIN Δ	2.67	2-1658787-4
OBSOLETE			0.00008 MIN Δ	4.00	1658787-9
OBSOLETE			0.00008 MIN Δ	3.18	1658787-8
OBSOLETE			0.00008 MIN Δ	2.67	1658787-7
	NATURAL	BLACK	0.00038 MIN Δ	4.00	1658787-6
			0.00038 MIN Δ	3.18	1658787-5
			0.00038 MIN Δ	2.67	1658787-4
			0.00076 MIN Δ	4.00	1658787-3
			0.00076 MIN Δ	3.18	1658787-2
			0.00076 MIN Δ	2.67	1658787-1

DWN: D. RINGLER 16 JUL 2003		Tyco Electronics Corporation	
CHK: 21AUG2003		SH/CN GuiPing RD 668#	
DIMENSIONS: mm		PRODUCT SPEC	
TOLERANCES UNLESS OTHERWISE SPECIFIED:		APPLICATION SPEC	
0 PLC ±0.25	1 PLC ±0.15	SIZE	CAGE CODE
2 PLC ±0.13	3 PLC ±0.10	A11	00779
4 PLC ±0.10	ANGLES ±1	SCALE	1:1
MATERIAL:		WEIGHT:	REV B
FINISH:		CUSTOMER DRAWING	SHEET 2 OF 3

LOC	DIST	REV	DATE	DWN	APVD
ES	00				



RECOMMENDED PCB HOLE LAYOUT
VIEWED FROM CONNECTOR SIDE
SCALE 4:1



RECOMMENDED MODULE LAYOUT
SCALE 3:1

DIMENSIONS: mm 		TOLERANCES UNLESS OTHERWISE SPECIFIED: 0 PLC ±0.25 1 PLC ±0.15 2 PLC ±0.15 3 PLC ±0.013 4 PLC ±0.013 ANGLES ±1°		DWN: D. RINGLER 18 JUL 2003 CHK: 21 AUG 2003		Tyco Electronics Tyco Electronics Corporation SH/CN GuiPing RD 668#	
MATERIAL:		FINISH:		PRODUCT SPEC:		NAME: SOCKET ASSEMBLY 25 DEGREE DDR II DIMM 240 POSITION	
CUSTOMER DRAWING		WEIGHT:		APPLICATION SPEC:		SIZE: A 00779 ©=1658787	
SCALE: 1:1		SHEET: 3 OF 3		REV: B		RESTRICTED TO:	